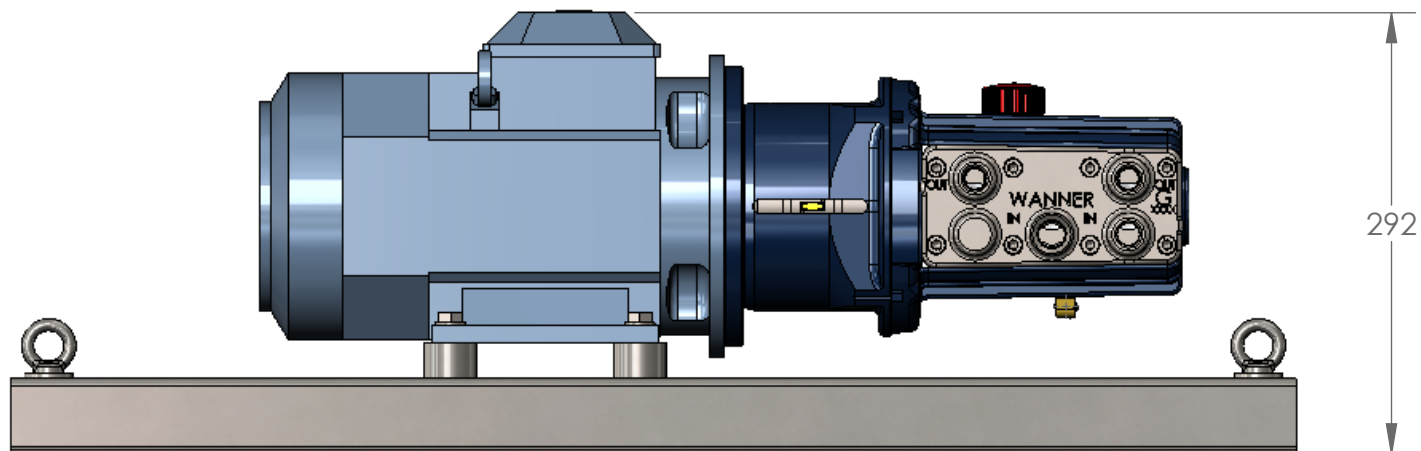


4 x  $\varnothing 20$



G03 - IEC 90

57 Kg